



INDUSTRIAL INC.

www.kar.ca

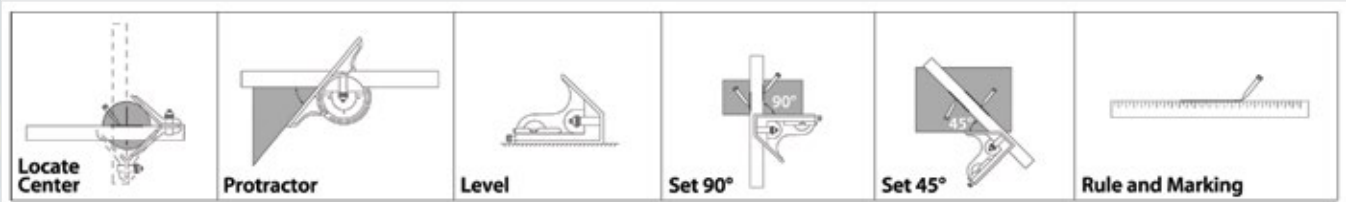
Toronto | Montréal | Edmonton

# INSIZE TOOLS THAT MEASURE UP

## COMBINATION SQUARES

RELIABLE | ACCURATE | DURABLE | AFFORDABLE

- Stocked in Canada
- 1 Year Manufacturer Warranty
- Spare parts available



INSIZE EXCLUSIVELY AVAILABLE FROM KAR IN CANADA

CONTACT YOUR LOCAL KAR DISTRIBUTOR FOR MORE DETAILS

Prices subject to change without notice

YOUR AUTHORIZED KAR DISTRIBUTOR:

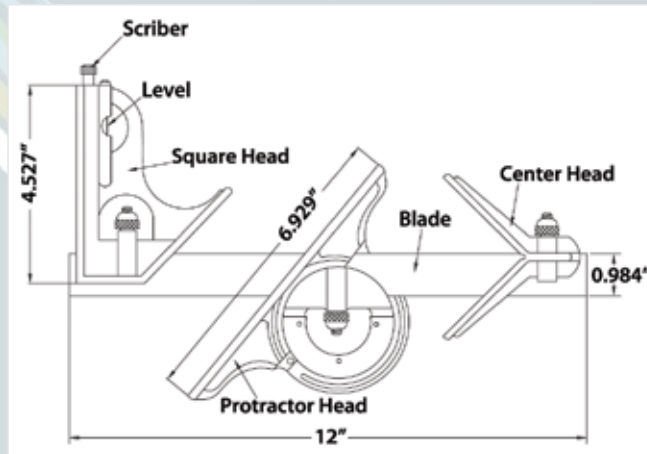
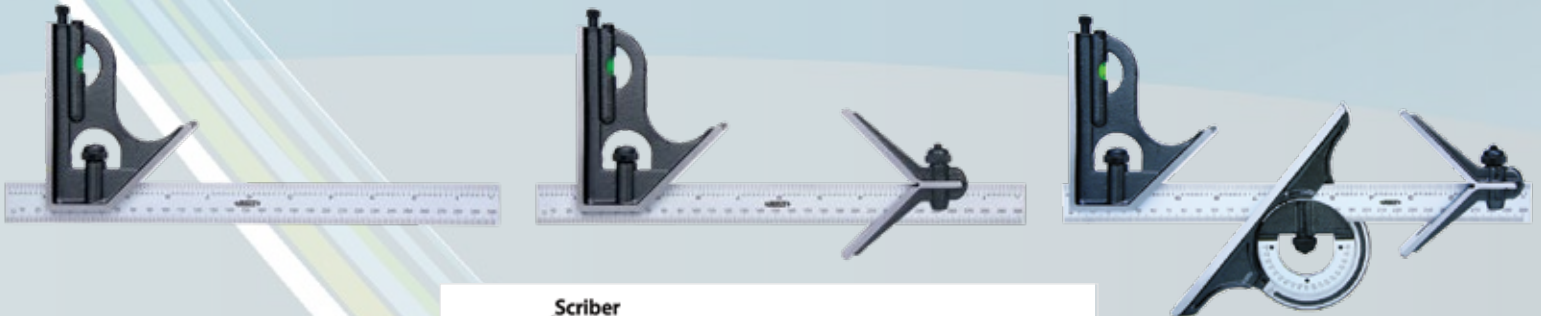
**DURAMILL**  
**INDUSTRIAL SUPPLIES**  
*an MSC Company*

Email: [sales@duramill.ca](mailto:sales@duramill.ca)  
 Tel: (905) 738-8665 | Fax: (905) 738-4862  
[www.duramill.ca](http://www.duramill.ca)  
 6877 Edwards Blvd., Mississauga, ON L5T 2T9

# INSIZE TOOLS THAT MEASURE UP

## COMBINATION SQUARES

RELIABLE | ACCURATE | DURABLE | AFFORDABLE



Blade Length	Blade Graduation	Description	INSIZE No.	Code	Price
12"	1/8" and 1/16" on one side, 1/32" and 1/64" on reverse side	2-pcs: rule & square head	2278-2E	877154	64. <sup>97</sup>
12"	1/8" and 1/16" on one side, 1/32" and 1/64" on reverse side	3-pcs: rule, square & center head	2278-3E	877155	96. <sup>02</sup>
12"/300mm	1/32" and 0.5mm on one side, 1/64" and 1mm on reverse side	4-pcs: rule, square, center & protractor head	2278-180	816324	215. <sup>82</sup>
12"	1/8" and 1/16" on one side, 1/32" and 1/64" on reverse side	4-pcs: rule, square, center & protractor head	2278-180E	283344	215. <sup>45</sup>
12"	1/8" and 1/16" on one side, 1/32" and 1/64" on reverse side	2-pcs: rule & square head	2278-2	877294	81. <sup>85</sup>
12"/300mm	1/8" and 1/16" on one side, 1/32" and 1/64" on reverse side	Rigid Rule for Combination Square 2278 Series	7113-300	283606	34. <sup>85</sup>

INSIZE EXCLUSIVELY AVAILABLE FROM KAR IN CANADA

CONTACT YOUR LOCAL KAR DISTRIBUTOR FOR MORE DETAILS

Prices subject to change without notice